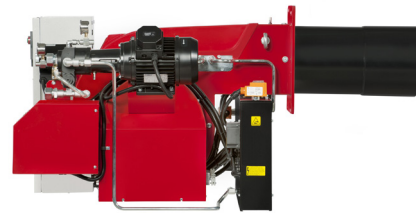
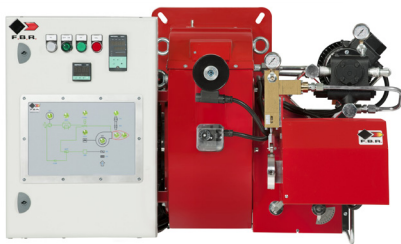
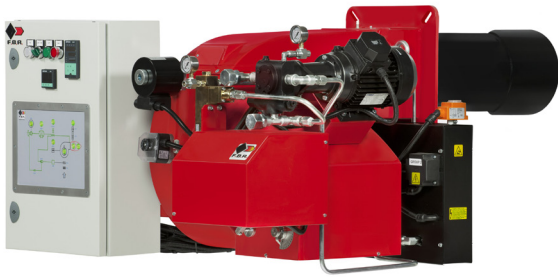


Burners for heavy oil two stages progressive or PID fully modulating with the addition of the optional system modulation kit plus feeder. Fan at high pressurisation, combustion head with adjustment at high efficiency and high flame stability complete of servomotor for the opening of the air shutters, suitable for heavy oil up to 20°E to 50°C and for BTZ heavy oil.

Disposition rationalized of the components with accessibility facilitated for the operations of setting and maintenance.

Complete of flange and gasket for installation on boiler, nozzles, flexible pipes, line filter electrically heated and equipped with a thermostat.

Available versions with mechanical or electric camme.

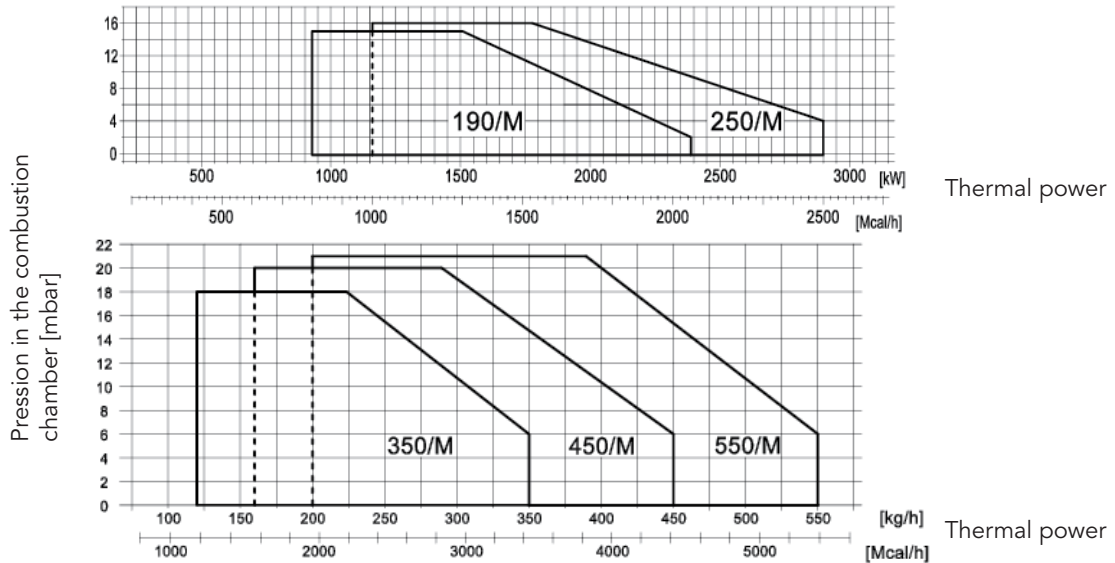


TECHNICAL DATA

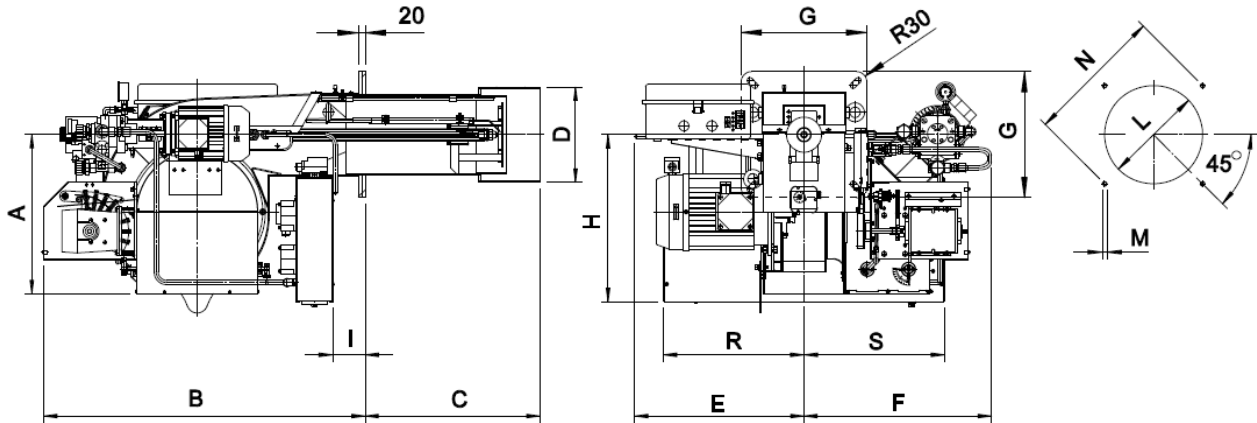
MODEL		FNDP 190/M	FNDP 250/M	FNDP 350/M	FNDP 450/M	FNDP 550/M
Flow min-max*	kg/h	80-206	100-250	120-350	160-450	200-550
Thermal power min-max*	Mcal/h	800-2060	1000-2500	1176-3430	1568-4410	1960-5390
Thermal power min-max*	kW	928-2390	1160-2900	1364-3979	1819-5115	2274-6252
Fuel	HEAVY OIL 5-20°E a 50°C					
Intermittent working operation (min. 1 stop every 24 hours) 2 stages progressive and modulating						
Environmental conditions operation/storage	-15...+40°C/-20...+70°C, rel. humidity max 80%					
Max temperature combustion air	°C	60	60	60	60	60
Nominal electric power	kW	24.8	29.3	35.2	43.2	56.7
Motor fan	kW	5.5	7.5	9	11	18.5
Motor pump	kW	1.1	1.1	2.2	2.2	2.2
Resistances	kW	15	20	24	30	36
Power supply	3 ~ 400V-1/N ~230V-50Hz					
Degree of electric protection		IP44	IP44	IP44	IP44	IP44
Burner weight	kg	206	210	317	343	387

* Reference conditions: Environment temperature 20°C - Barometric pressure 1013 mbars - Altitude 0 mt (sea level)

FIRING RATES: Thermal power - Pressure in combustion chamber



DIMENSIONS (mm)



* Suggested dimension of connection between burner and generator

MODEL	A	B	C	ØD	E	F	G	H	I	min	L *	max	M	min	N *	max	R	S
FNDP 190/M	453	920	495	234	484	536	360	490	93	245	280	320	M14	396	424	438	400	400
FNDP 250/M	453	920	500	271	484	536	360	490	93	280	280	320	M14	396	424	438	400	400
FNDP 350/M	481	1025	535	334	537	565	490	495	75	350	350	450	M14	552	552	580	400	400
FNDP 450/M	481	1025	560	380	571	571	490	635	57	390	390	450	M14	552	552	580	520	400
FNDP 550/M	481	1025	560	380	661	571	490	635	57	390	410	450	M14	552	552	580	520	400