

FGP 75/2

Burners for light-oil two stages.

Complete of air blower with high pressurisation, combustion head with adjustment for high efficiency and high flame stability , with hydraulic system for regulation fo the combustive air on the two stages of flame.

Compact overall dimensions and disposition rationalized of the components with accessibility for easy operations of setting and maintenance.

Complete of nozzles, flexible hoses and line filter.

Complete of flange and gasket for installation on generator.

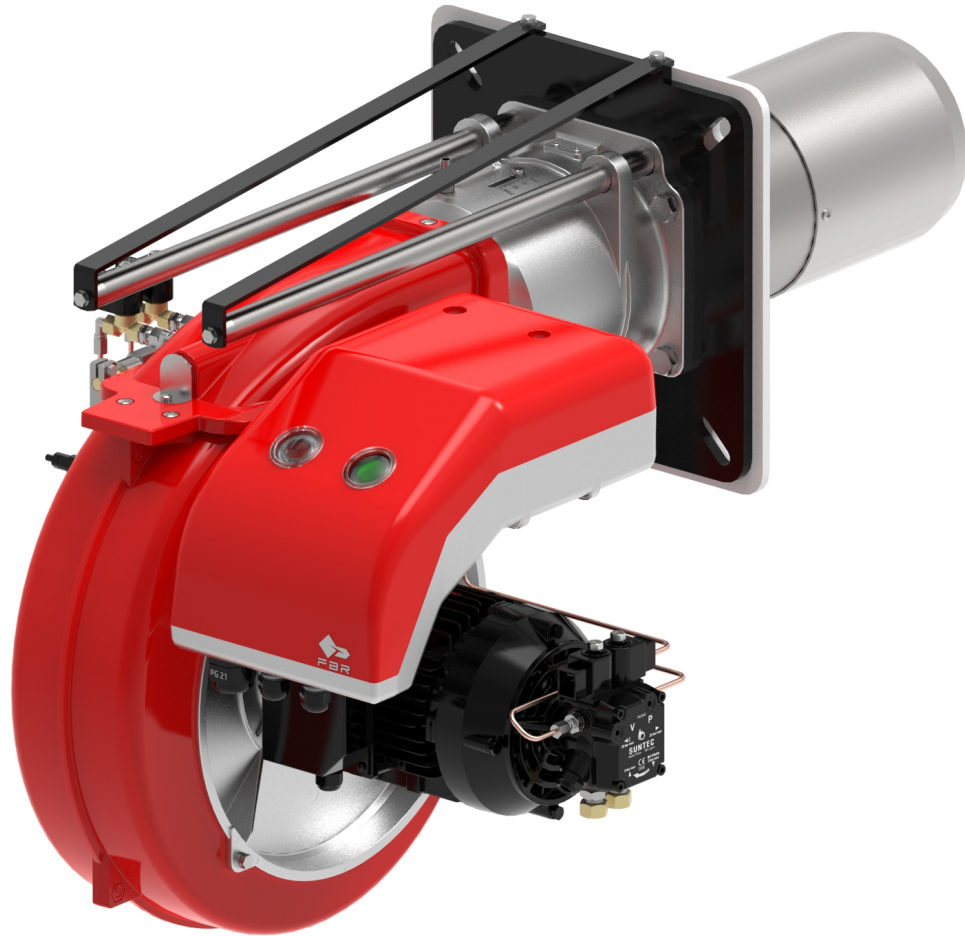


Fig. 1 FGP 75/2

TECHNICAL DATA FGP 75/2

MODEL		FGP 75/2
Flow min. 1°st. / min. 2°st. - max. 2°st. *	[kg/h]	17.5/35-80
Thermal power min. 1°st. / min. 2°st. - max. 2°st. *	[Mcal/h]	178/357-816
Thermal power min. 1°st. / min. 2°st. - max. 2°st. *	[kW]	207/415-949
Fuel: LIGHT-OIL 1.5°E at 20°C = 6.2 cSt = 35 sec Redwood N°1		
Intermittent working operation (min. 1 stop every 24 hours) two stages		
Environmental conditions operation / storage:	-15...+40°C / -20...+70°C, rel. humidity max. 80%	
Max. temperature combustion air	[°C]	60
Nominal electric power	[kW]	1.6
Fan motor	[kW]	1.5
Nominal motor current absorption	[A]	3.4
Nominal auxiliary absorption	[A]	0.3
Power supply:	3~400V, 1N~230V - 50Hz	
Electric protection degree:	IP 40	
Noisiness ** min-max	[dBA]	78-82.5

* Reference conditions: Environment temperature 20°C - Barometric pressure 1013 mbars - 0 (zero) Height meters above mean sea level.

** Sound power level detected at a distance of 1 meter in the combustion lab with burner working on boiler (UNI EN ISO 3746).

OPERATING RANGE DIAGRAM FGP 75/2

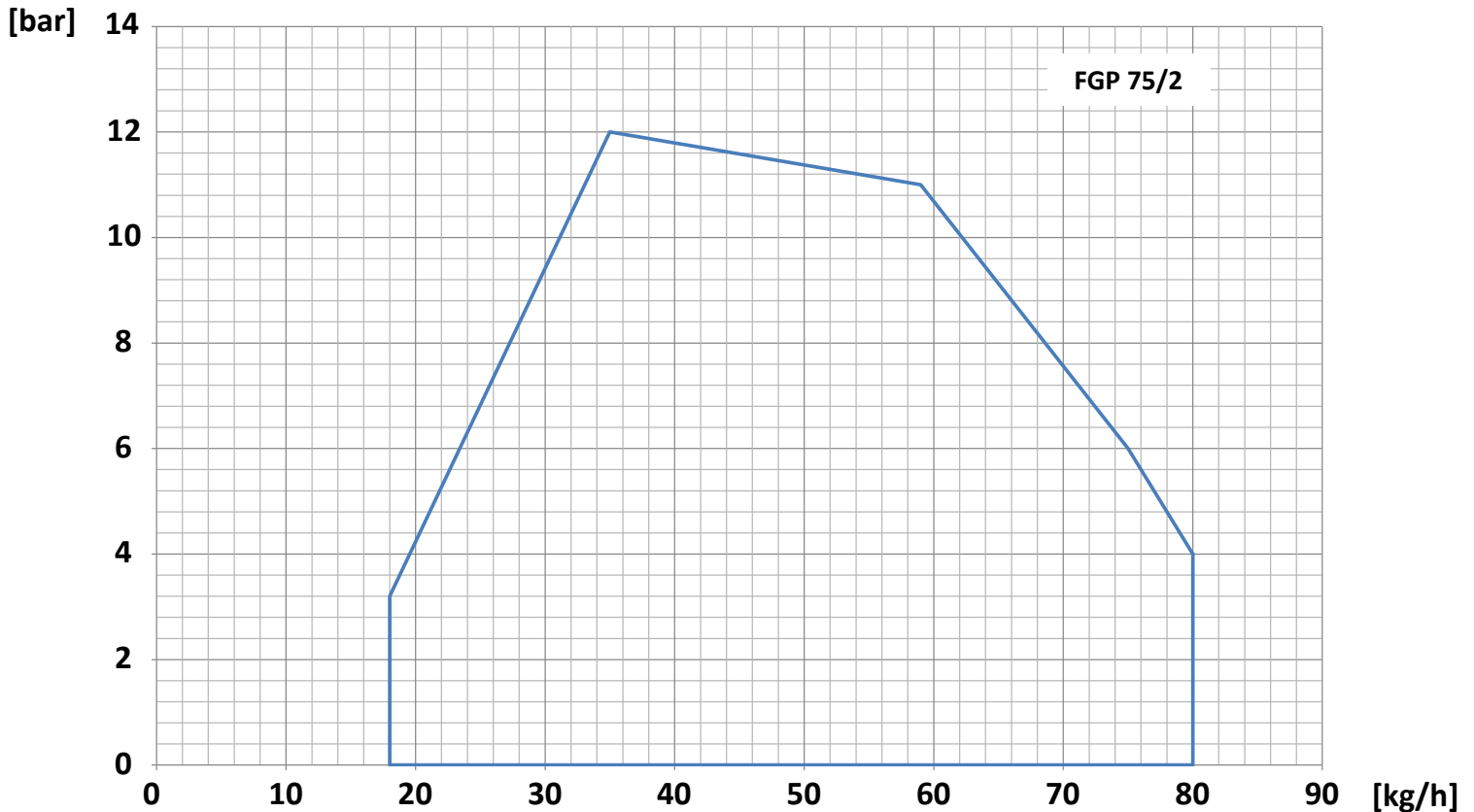


Fig. 2 X = Flow Y = Pression in the combustion chamber

The firing rates has been obtained based on test boilers in accordance with EN267 standards and are indicative of matching the burner to the boiler. For the correct operation of the burner, combustion chamber dimensions must be in accordance with current regulation. In case of non-compliance, contact the manufacturer.

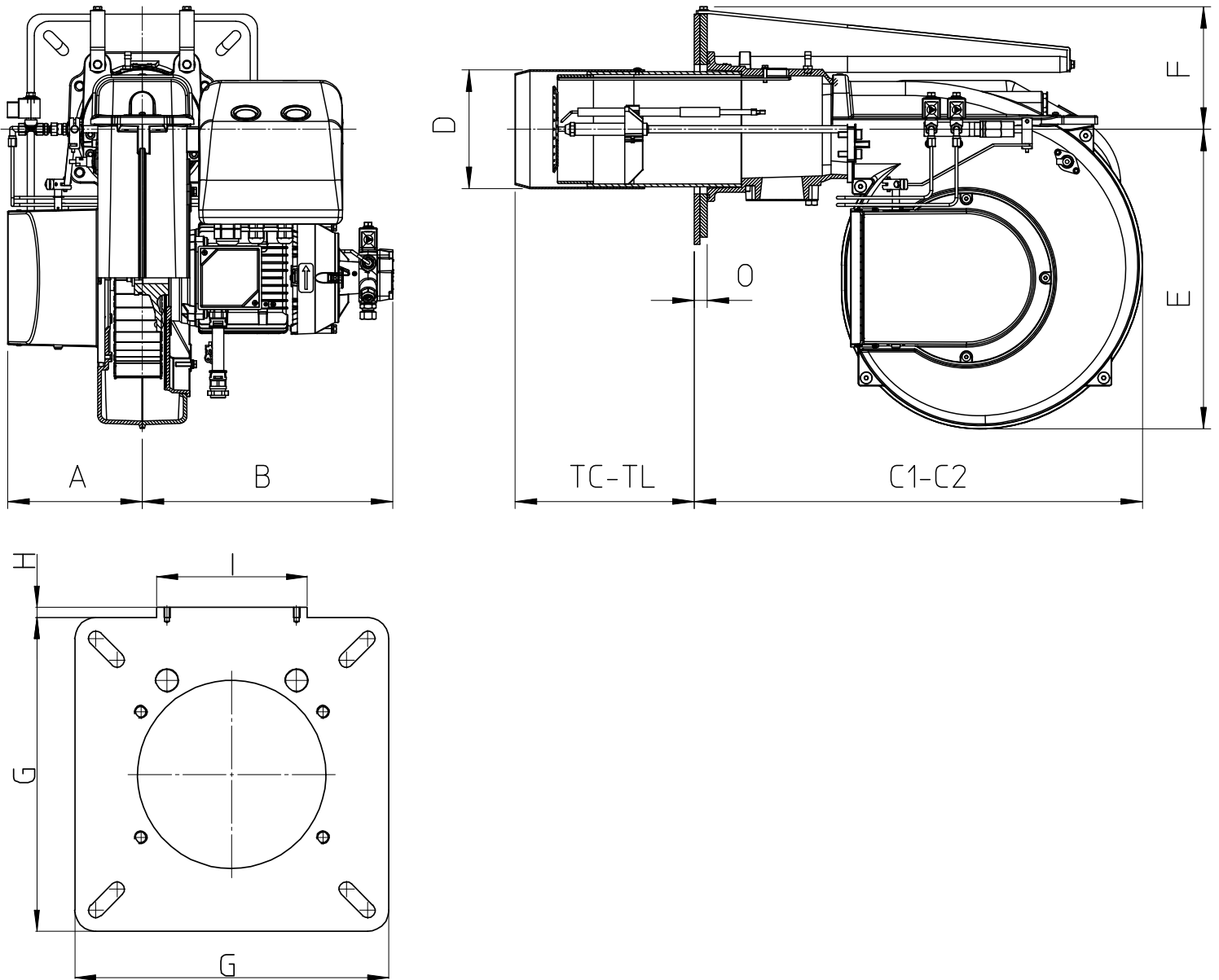
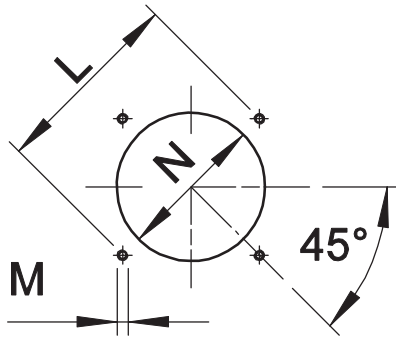


Fig. 3 Dimensions FGP 75/2

MODEL	A	B	C1	C2	D	E	F	G	H	I	O
FGP 75/2	187	350	623	1062	165	417	170	300	10	144	18

C2: Overall dimension with the burner out in position of maintenance.

* see "flame tube length"



* Suggested dimension of connection between burner and generator.

Fig. 4 Boiler plate

MODEL		L min	L max	M	N min	N *	N max
FGP 75/2	mm	310	368	M12	180	180	250

FLAME TUBE LENGTH

Flame tube length must be selected based on the specifications supplied by boiler manufacturer and, in any case, it must be greater than the thickness of the boiler door included its insulation.
In case of boilers with flame inversion or front flue combustion chambers, it is necessary to insulate the area between the flame tube and front door with refractory material. This protection material must not impede flame tube extraction.

MODEL		TC	TL **
FGP 75/2	mm	250	335

** For different flame lengths, please contact our Technical-Sales Department.

BURNER SIGNAL DESCRIPTION

In the picture below there are indicated all the signalation present on the burner:

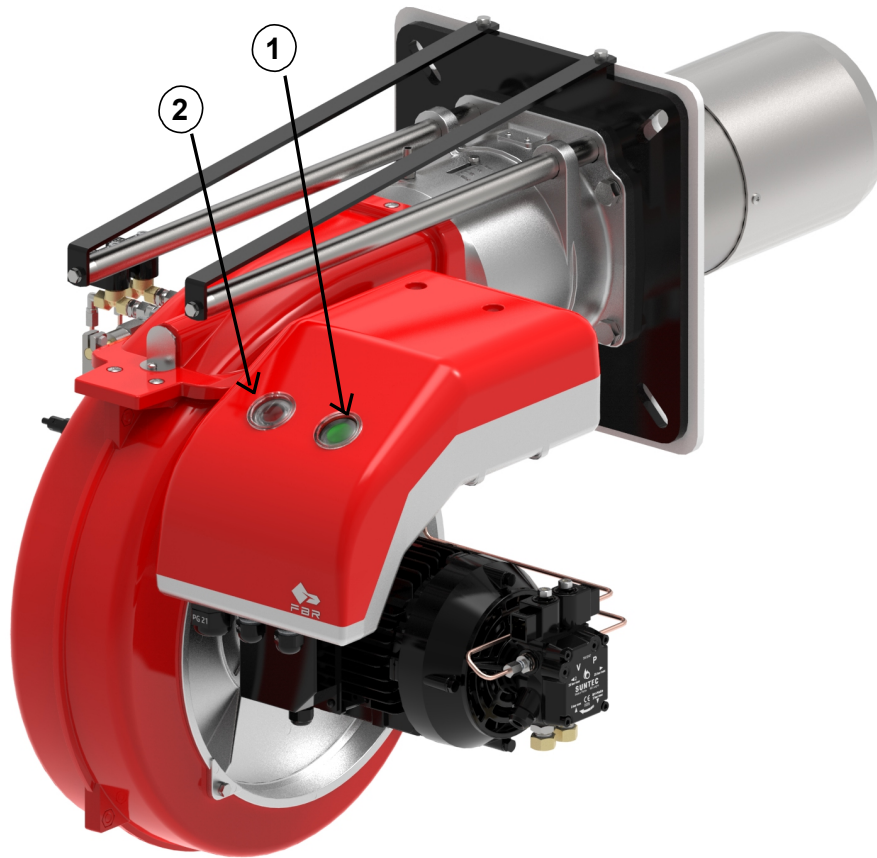


Fig. 5 Burner signal description

LEGEND

- 1) ON/OFF button
- 2) Reset from lockout button + status lamp

💡 The multicolor signal lamp in the lockout reset button (pos.2) is the key indicating element for visual diagnostics and interface diagnostics.
 In normal operation, the different operating states are indicated in the form of color codes; please refer to electrical device handbook supplied with the present instructions.

💡 After a non-alterable lockout, the red signal lamp in the lockout reset button (pos.2) lights up.
 By pressing the lockout reset button (pos.2) for more than 3 seconds, the visual diagnostics of the cause of fault can be activated; please refer to electrical device handbook supplied with the present instructions.

For close the diagnostics mode and for switch on the burner again, it is necessary to reset the burner control.
 Press the lockout reset button (pos.2) for about 1 second (<3 seconds).

💡 After a non-alterable lockout, the red signal lamp in the lockout reset button (pos.2) lights up.
 For reset the control box press the lockout reset button (pos.2) for about 1 second (<3 seconds).

PRODUCT SPECIFICATION**SHORT DESCRIPTION**

Light-oil burners two stages.

DETAILED SPECIFICATION

Light-oil burner two stages composed by:

- Fan at high pressurisation;
- Combustion head with adjustment at high performance and elevated flame stability;
- Flange and insulating gasket for fixing at boiler;
- Three-phase power supply;
- Photodiode for flame detection;
- IP 40 electric protection level;
- Supports and tierods for burner extraction;
- Easy extraction of combustion head without get off the burners by bolier.

CONFORMING TO:

- CE rules;
- 2014/30/UE Directive E.M.C.;
- 2014/35/UE Directive L.V.;
- 2006/42/CE Directive M.D.;
- 2014/68/UE (ART.4,PAR.3) Directive P.E.D.;
- Reference rules: EN267 (liquid fuel) - EN746-2 (industrial thermoprocessing equipment).

STANDARD EQUIPMENT

- Flexible hoses for connection;
- Line filter;
- Isomart gasket;
- Nozzles;
- Flange with insulating gasket;
- Burner nameplate;
- Warranty;
- Instruction handbook for installation, use and maintenance.

OPTIONAL

- Noise protection.