

Burners for heavy oil at three stages, fan at high pressurisation, combustion head with adjustment at high efficiency and high flame stability complete of servomotors for the opening of the air shutters, suitable for heavy oil up to 20°C to 50°C and for BTZ heavy oil.

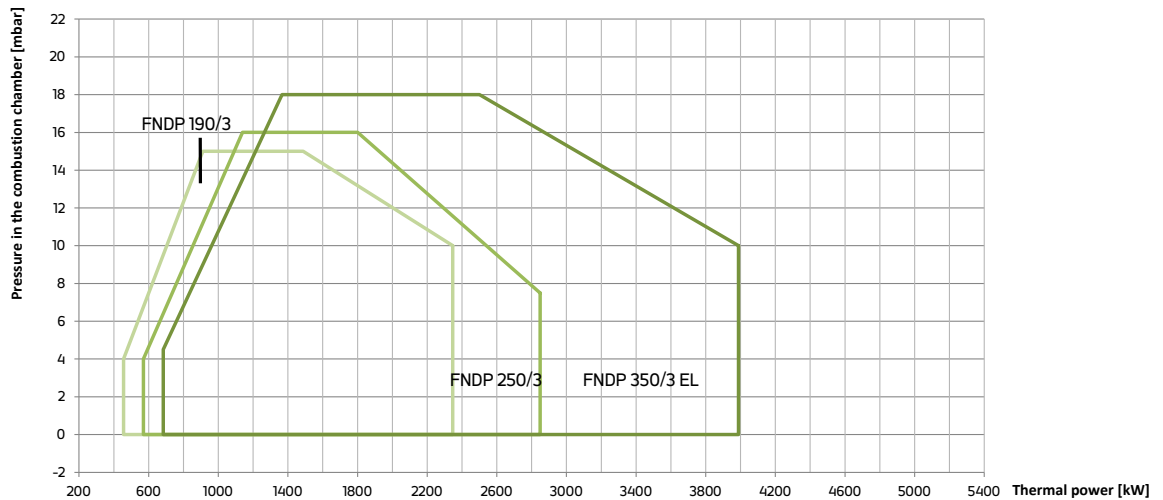
Disposition rationalized of the components with accessibility facilitated for the operations of setting and maintenance.

Complete of flange and gasket for installation on boiler, nozzles, flexible pipes, line filter electrically heated and equipped with a thermostat.

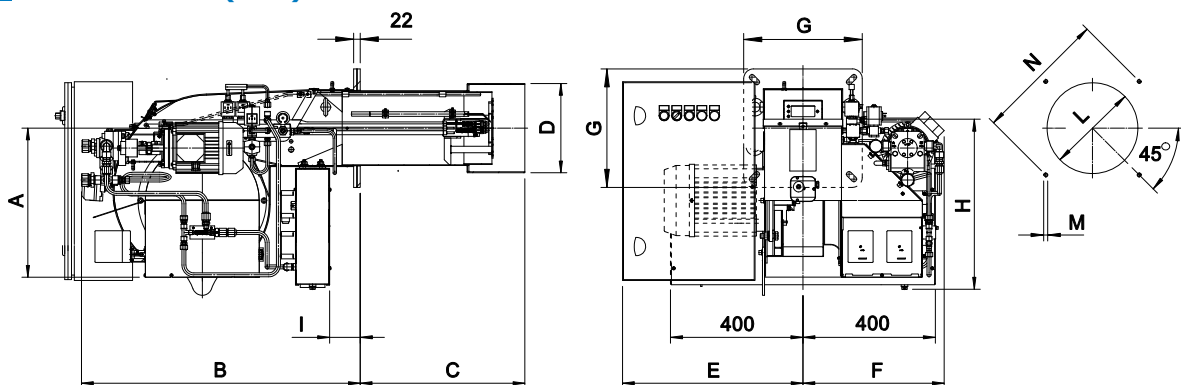
### TECHNICAL DATA

MODEL		FNDP 190/3	FNDP 250/3	FNDP 350/3
Delivery	kg/h	80-206	100-250	120-350
Thermal power	Mcal/h	784-2020	980-2450	1180-3430
Thermal power	kW	911-2343	1140-2840	1370-3980
Nominal electric power	kW	25	32	43
Fan motor power	kW	5.5	7.5	9.2
Pump motor power	kW	1.1	1.1	1.1
Resistance power	kW	15	20	24
Electrical supply	three-phase 230/400V (-15% +10%) - 50Hz			
Fuel	HEAVY OIL MAX 20°C a 50°C			
Burner weight	kg	190	194	282

### FIRING RATES: Thermal power - Pressure in combustion chamber



### DIMENSIONS (mm)



MODEL	A	B	C	D	E	F	G	H	I	L min	L max	M	N min	N max	R
FNDP 190/3	453	850	495	234	464	430	360	490	93	245	320	M14	396	438	R30
FNDP 250/3	453	850	500	271	464	430	360	490	93	280	320	M14	396	438	R30
FNDP 350/3	481	942	535	334	575	488	490	494	75	350	450	M14	552	580	R50

The illustrations and data here shown are indicative. F.B.R. Bruciatori S.r.l. reserves the right to bring, without any obligation of warning, any changes that would be appropriate to the continuing development of their products.