

FGP 190/M - FGP 250/M

Burners for light-oil two stages progressive (hi-low flame) or modulating (PID fully modulating) if equipped with addition of optional modulation kit and probe.

They are composed by: fan at high pressurisation and combustion head with adjustment at high efficiency and high flame stability.

Compact overall dimensions and disposition rationalized of the components with accessibility facilitated for the operations of setting and maintenance.

Complete of nozzle, flexible pipes and line filter.

Complete of flange and gasket for installation on generator.

Available with mechanical cam or with electronic cam.

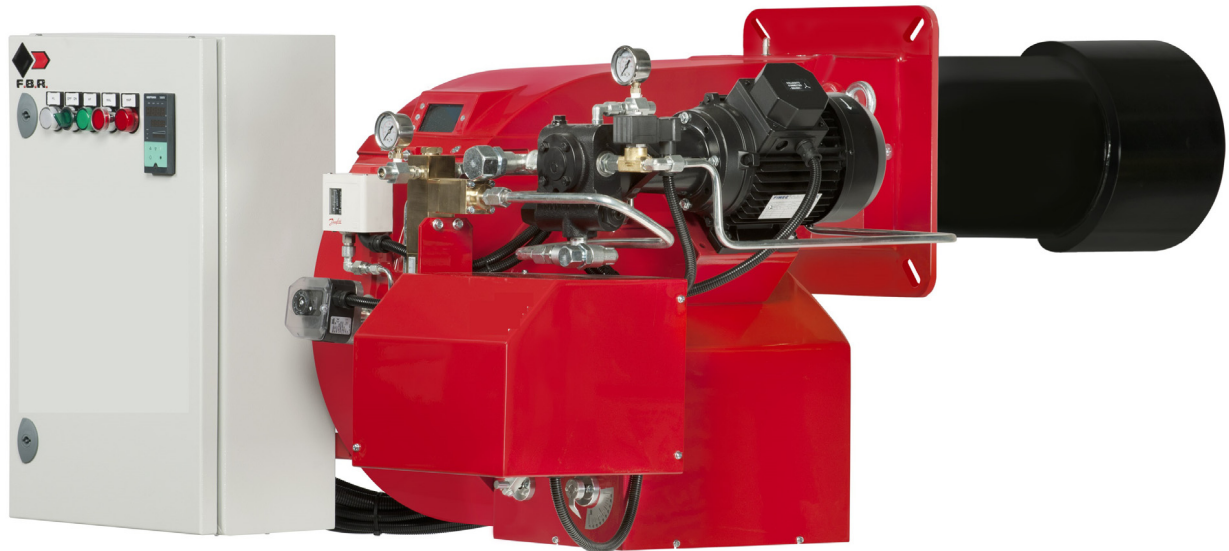


Fig. 1 FGP 250/M

TECHNICAL DATA FGP 190/M - FGP 250/M

MODEL		FGP 190/M	FGP 250/M
Flow min. 1°st. / min. 2°st. - max. 2°st. *	[kg/h]	20/60-206	26/80-250
Thermal power min. 1°st. / min. 2°st. - max. 2°st. *	[Mcal/h]	200/612-2101	260/816-2550
Thermal power min. 1°st. / min. 2°st. - max. 2°st. *	[kW]	232/712-2443	302/949-2965
Fuel: LIGHT-OIL 1.5°E at 20°C = 6.2 cSt = 35 sec Redwood N°1			
Intermittent working operation (min. 1 stop every 24 hours) two stages progressive or modulating			
Environmental conditions operation / storage:	-15...+40°C / -20...+70°C, rel. humidity max. 80%		
Max. temperature combustion air	[°C]	60	60
Nominal electric power	[kW]	6	9
Fan motor	[kW]	5.5	7.5
Pump motor	[kW]	1.1	1.1
Nominal motor current absorption	[A]	11.5	15.5
Nominal auxiliary absorption	[A]	0.3	0.5
Power supply:	3~400V, 1N~230V - 50Hz		
Electric protection degree:		IP 40	IP 40
Noisiness ** min. - max.	[dB(A)]	83-85	84-85
Burner weight	[kg]	150	160

* Reference conditions: Environment temperature 20°C - Barometric pressure 1013 mbars - Altitude 0 metre (sea level).

** Measured sonorous pressure in the combustion lab, with functional burner on beta boiler in a distance of 1 m (UNI EN ISO 3746).

OPERATING RANGE DIAGRAM FGP 190/M - FGP 250/M

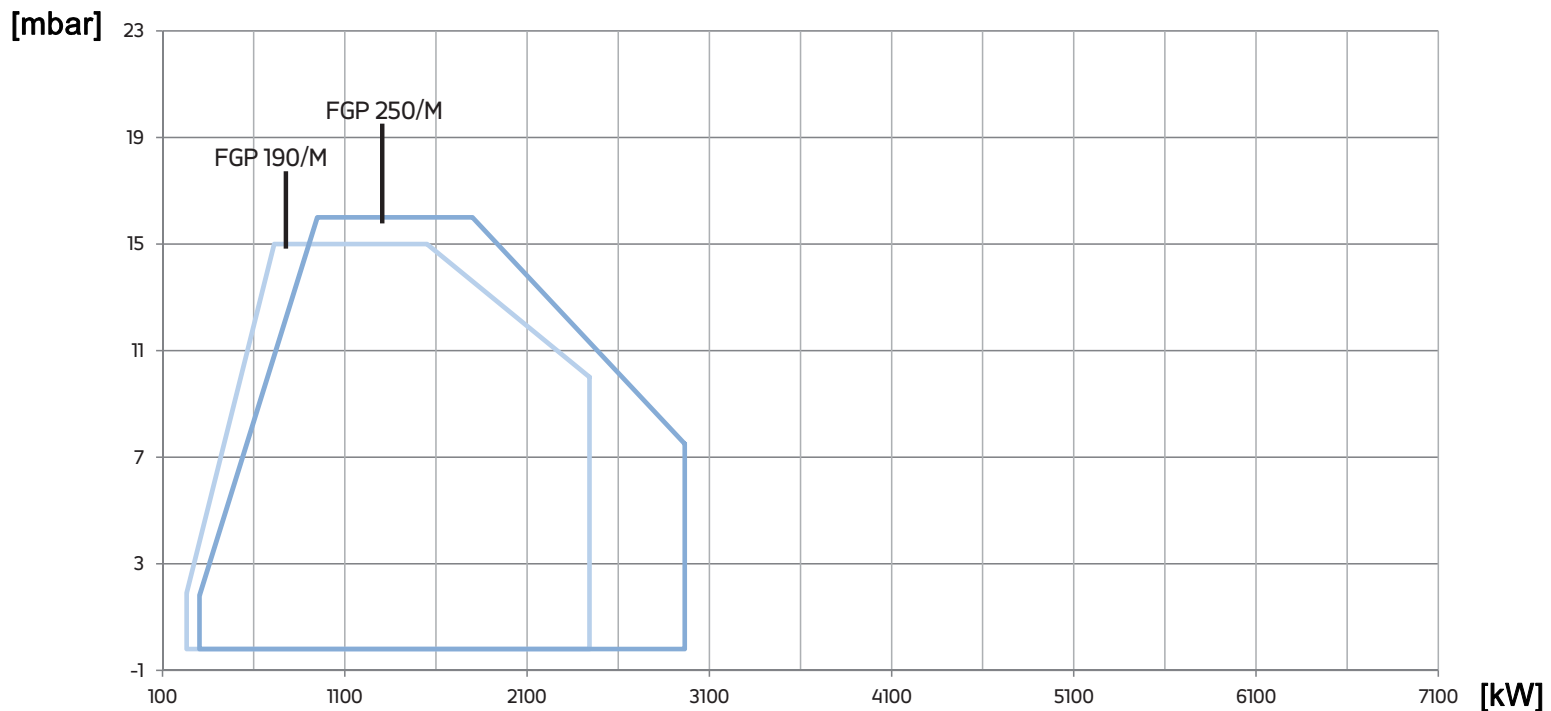


Fig. 2 X = Thermal power Y = Pression in the combustion chamber

The firing rates has been obtained based on test boilers in accordance with EN267 standards and are indicative of matching the burner to the boiler. For the correct operation of the burner, combustion chamber dimensions must be in accordance with current regulation. In case of non-compliance, contact the manufacturer.

DIMENSIONS [MM]

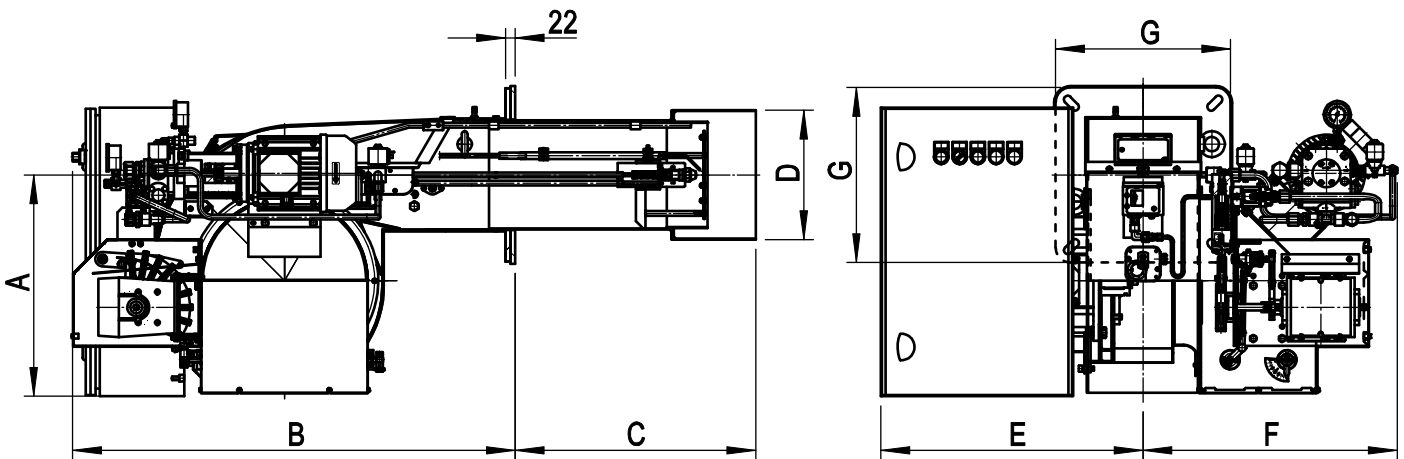
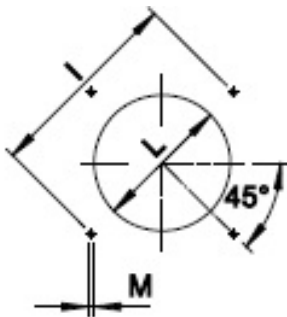


Fig. 3 Dimensions FGP 190/M - FGP 250/M

MODEL	A	B	C	D	E	F	G
FGP 190/M	460	920	495	234	545	530	360
FGP 250/M	460	920	500	271	545	530	360

BOILER PLATE



* Suggested dimension of connection between burner and generator.

Fig. 4 Boiler plate

MODEL		l min	l *	l max	L min	L *	L max	M
FGP 190/M	mm	396	424	438	245	280	320	M14
FGP 250/M	mm	396	424	438	280	280	320	M14

PRODUCT SPECIFICATION**SHORT DESCRIPTION**

Light-oil burners two stages progressive (hi-low flame) or modulating (PID fully modulating) if equipped with addition of optional modulation kit and probe.

DETAILED SPECIFICATION

Light-oil burner two stages progressive (hi-low flame) or modulating (PID fully modulating) if equipped with addition of optional modulation kit and probe; composed by:

- Fan at high pressurisation;
- Combustion head with adjustment at high performance and elevated flame stability;
- Flange and insulating gasket for fixing at boiler;
- Three-phase power supply;
- Photoresistance for flame detection;
- IP 40 electric protection level;
- Servomotor for air shutter and for the pressure regulator;
- Easy extraction of combustion head without get off the burners by bolier;
- Maximum light-oil pressure switch to stop the burner in case of the light-oil pressure on the return is higher then the set point value;
- Dedicated motor for the activation of the light-oil pump;
- Set up for the additional specific kit that transforms burner operation as modulating i.e. the modulating kit allows to supply any power between the minimum and the maximum value based on instantaneous loading request.

CONFORMING TO:

- CE rules;
- 2014/30/UE Directive E.M.C.;
- 2014/35/UE Directive L.V.;
- 2014/68/EU Directive M.D.;
- 97/23/CE Directive P.E.D.;
- Reference rules: EN267 (liquid fuel) - EN746-2 (industrial thermoprocessing equipment).

STANDARD EQUIPMENT

- Flexible hoses for connection;
- Line filter;
- Isomart gasket;
- Nozzle;
- Flange with insulating gasket;
- Burner nameplate;
- Warranty;
- Instruction handbook for installation, use and maintenance.

OPTIONAL

- Power modulating kits for temperatures;
- Power modulating kits for pressures;
- Temperature probe 0°C-400°C (PT 100 a 0° C);
- Temperature probe 0°C-1200°C (K probe);
- Pressure probe 0-3 bar, 0-6 bar, 0-16 bar, 0-20 bar, 0-30 bar;
- Noise protection.