

## K 4/2 EVO

Dual fuel gas/light-oil burners at 2 stages.

They are composed with: aluminum body, fan at high pressurisation and combustion head with adjustment at high efficiency and high flame stability.

Compact overall dimensions and disposition rationalized of the components with accessibility facilitated for the operations of setting and maintenance.

Available in the versions METHANE (natural gas) or G.P.L. (to specify at the order) on demand specific versions for town gas, coal gas or biogas.

Gas train complete of: one-block valve A class (1st stage + 2nd stage slow opening + safety), minimum gas pressure switch and stabiliser filter.

Complete of: flange and gasket for installation on generator, nozzle, flexible hoses and line filter.

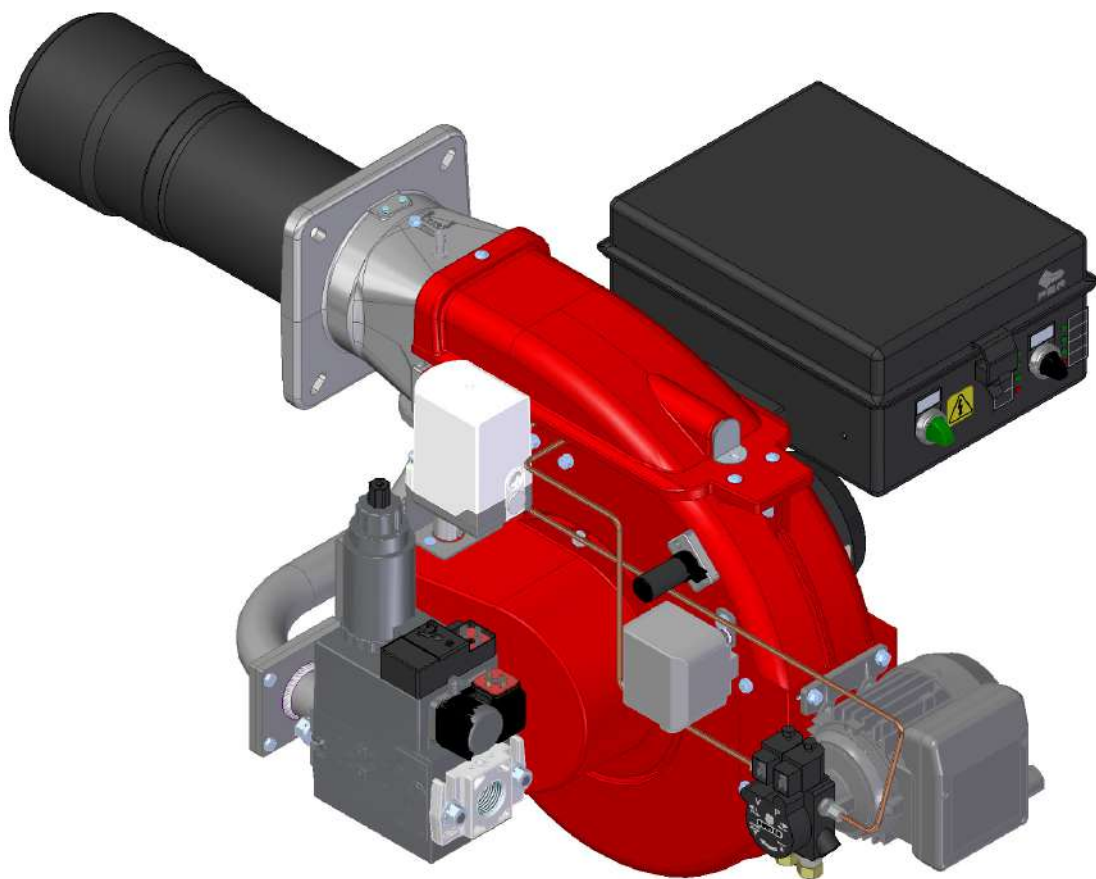


Fig. 1 K 4/2 EVO

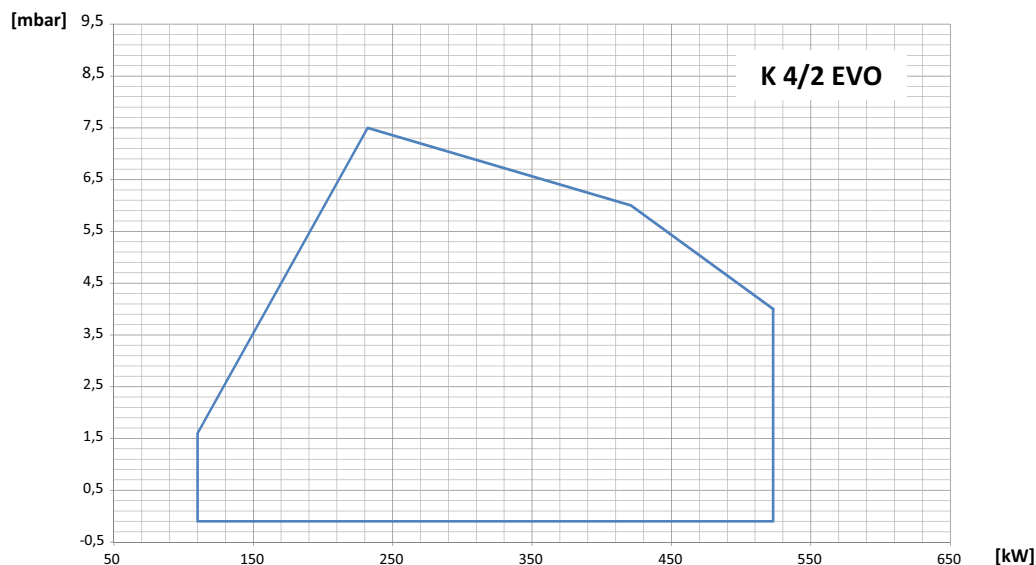
**TECHNICAL DATA AND OPERATING RANGE DIAGRAM K 4/2 EVO**

MODEL		<b>K 4/2 EVO</b>
Thermal power min. 1°st. / min. 2°st. - max. 2°st. *	[Mcal/h]	100/200-450
Thermal power min. 1°st. / min. 2°st. - max. 2°st. *	[kW]	116/232-523
Gas flow G20 (NATURAL GAS) min. 1°st. / min. 2°st. - max. 2°st. *	[Nm³/h]	11.7/23.4-52.6
Gas flow G31 (L.P.G.) min. 1°st. / min. 2°st. - max. 2°st. *	[Nm³/h]	4.5/9-20.3
LIGHT-OIL flow min. 1°st. / min. 2°st. - max. 2°st. *	[kg/h]	10/20-45
Fuel: NATURAL GAS (second family) - L.P.G. (third family)		
Fuel category:	I2R,I2H,I2L,I2E,I2E+,I2Er,I2ELL,I2E(R) - I3B/P,I3+,I3P,I3B,I3R	
Intermittent working operation (min. 1 stop every 24 hours) two stage		
Environmental conditions operation / storage:	-15...+40°C / -20...+70°C, rel. humidity max. 80%	
Max. temperature combustion air	[°C]	60
Minimum pressure gas train D1" - S NATURAL GAS/LPG **	[mbar]	95/60
Minimum pressure gas train D1"1/4 - S NATURAL GAS/LPG **	[mbar]	54.5/44
Minimum pressure gas train D1"1/2 -S NATURAL GAS/LPG **	[mbar]	28/33
Minimum pressure gas train D2" -S NATURAL GAS/LPG **	[mbar]	26.5/33
Maximum pressure at the entry of valves (Pe. max)	[mbar]	360
Nominal electric power	[W]	800
Fan motor	[W]	550
Pump motor	[W]	150
Nominal absorption auxiliary	[A]	0.7
Power supply:	3~400V, 1/N~230V-50Hz	
Electric protection degree:	IP 40	
Noisiness *** min. - max.	[dB(A)]	73-76
Burner weight	[kg]	45

\* Reference conditions: Environment temperature 20°C - Barometric pressure 1013 mbars - Altitude 0 metre (sea level).

\*\* Minimal feeding-gas pressure to the gas train to get the maximum power of the burner, considering counter-pressure in combustion chamber of value 0 (zero).

\*\*\* Measured sonorous pressure in the laboratory combustion, with functional burner on beta boiler to 1 metre of distance (UNI EN ISO 3746 - Control method Class 3 - Tolerance on the measured sound pressure can be assumed equal to ± 1 [dB (A)]).



**Fig. 2 X = Thermal power Y = pressure in combustion chamber**

The firing rates has been obtained based on test boilers in accordance with EN267 standards and are indicative of matching the burner to the boiler. For the correct operation of the burner bruciatore, combustion chamber dimensions must be in accordance with current regulation. In case of non-compliance, contact the manufacturer.

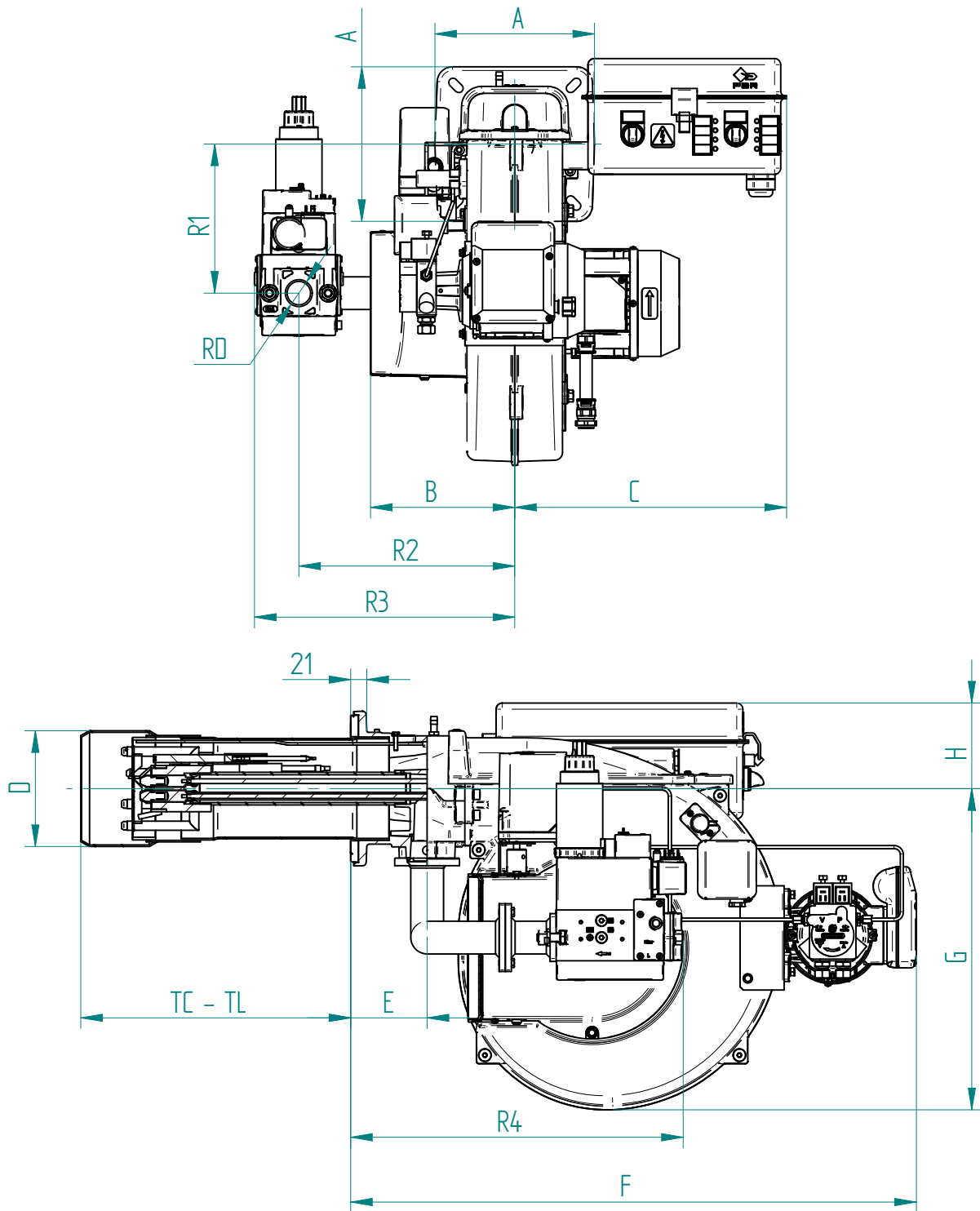


Fig. 3 Dimensions: K 4/2 EVO

MODEL	A	B	C	D	E	F	G	H	R1	R2	R3	R4	RD
K 4/2 EVO D1" - S	200	188	353	150	99	733	416	111	193	280	338	431	Rp 1
K 4/2 EVO D1" 1/4 - S	200	188	353	150	99	733	416	111	193	280	338	431	Rp 1 1/4
K 4/2 EVO D1"1/2 - S	200	188	353	150	99	733	416	111	193	280	346	446	Rp 1 1/2
K 4/2 EVO D2" - S	200	188	353	150	99	733	416	111	193	280	346	446	Rp 2

**BOILER PLATE**

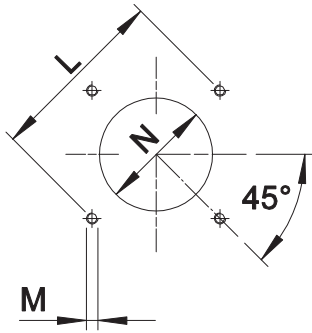


Fig. 4 Boiler plate

MODEL		L min	L max	M	N
K 4/2 EVO	mm	205	226	M10	160

**FLAME TUBE LENGTH**

Flame tube length must be selected based on the specifications supplied by boiler manufacturer and, in any case, it must be greater than the thickness of the boiler door included its insulation.

In case of boilers with flame inversion or front flue combustion chambers, it is necessary to insulate the area between the flame tube and front door with refractory material. This protection material must not impede flame tube extraction.

MODEL		TC	TL*
K 4/2 EVO	mm	250	350

\* For different flame lengths, please contact our Technical-Sales Department.

**PRODUCT SPECIFICATION****SHORT DESCRIPTION**

Dual fuel gas/light-oil burners at two stages.

**DETAILED SPECIFICATION**

Dual fuel gas/light-oil burners at two stages, composed by:

- Aluminium frame;
- Fan at high pressurisation;
- Combustion head with adjustment at high performance and elevated flame stability equipped with blast tube and flame disc;
- Flange and insulating gasket for fixing at boiler;
- Three-phase power supply;
- Manual switch for the fuel selection gas/light-oil;
- Safety air pressure switch to stop the burner in lock-out in case of failed or anomalous fan operation;
- Equipped with gas train with one-block valve A class (1st stage + 2nd stage slow opening + safety), minimum gas pressure switch and stabiliser filter;
- Optional gas valve proving system VPS;
- Light-oil pump activated by a dedicated motor;
- Optional maximum gas pressure switch;
- UV probe for flame detection;
- Servomotor for air shutter and for the consent of the 2nd stage operation;
- Moving shutter with total closure when idle in order to reduce at the least energy losses related to boiler cooling down;
- IP 40 electric protection level.

**CONFORMING TO:**

- CE rules;
- 2014/30/UE Directive E.M.C.;
- 2014/35/UE Directive L.V.;
- 2006/42/CE - 2006/42/EG - 2006/42/EC Directive M.D.;
- Directive P.E.D. (art.4, par.3) 2014/68/EU;
- Reference rules: EN676 (gas) - EN267 (liquid fuel) - EN746-2 (industrial thermoprocessing equipment).

**STANDARD EQUIPMENT**

- Flexible pipes;
- Line filter;
- Isomart gasket;
- Nozzle;
- Flange with insulating gasket;
- Burner nameplate;
- Warranty;
- Instruction handbook for installation, use and maintenance.

**OPTIONAL**

- Noise protection;
- Antivibration couplings;
- Handle gas taps.