

## G 2.22R-LX - G 2.22-LX

Light-oil burners at two steps pressure - Low NO<sub>x</sub> (NO<sub>x</sub> < 120 mg/kWh).

They are composed by: aluminium frame, protection cover with noise reduction plate, combustion head with micrometric adjustment, high flame stability and low emissions.

Compact overall dimensions and disposition rationalized of the components with accessibility facilitated for the operations of setting and maintenance.

In the versions R preheater with control of temperature for soft and sicure ignitions also at low temperatures.

Complete of connector 7 poles, flange and gasket for installation on boiler, nozzle, flexible pipes, line filter.

**Fig. 1** G 2.22R-LX - G 2.22-LX

## TECHNICAL DATA G 2.22R-LX - G 2.22-LX

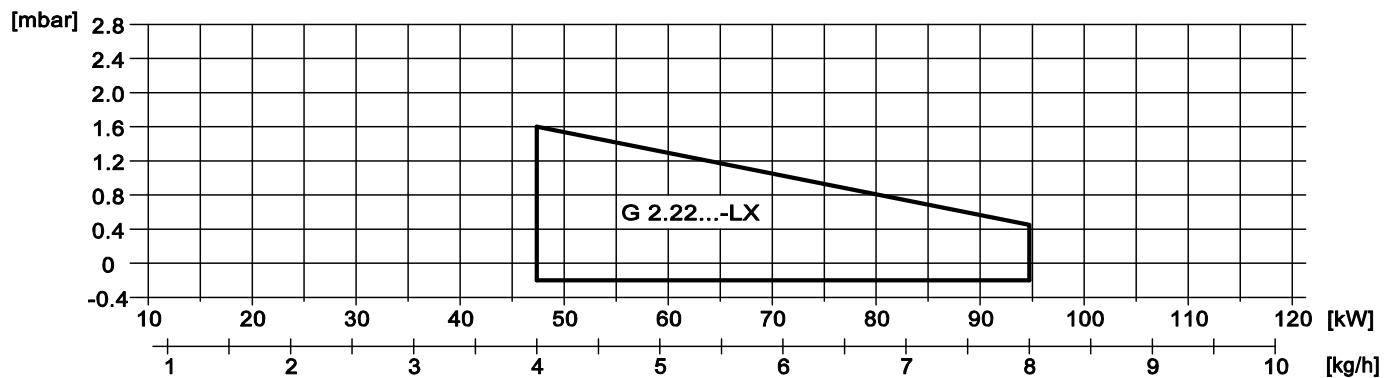
MODEL		G 2.22R-LX	G 2.22-LX
Flow min. - max. *	[kg/h]	4-8	
Thermal power min. - max. *	[Mcal/h]	40.8-81.6	
Thermal power min. - max. *	[kW]	47.3-94.7	
Fuel: LIGHT-OIL 1.5°E at 20°C = 6.2 cSt = 35 sec Redwood N°1			
NOx	[mg/kWh]	< 120:class 3 (EN267)	
Intermitted working operation (min. 1 stop every 24 hours) two steps pressure			
Environmental conditions operation / storage:	-15...+40°C / -20...+70°C, rel. humidity max. 80%		
Max. temperature combustion air	[°C]	60	
Nominal electric power	[W]	250	140
Fan motor	[W]	100	100
Nominal current absorption	[A]	1.1	0.7
Pre-heater	[W]	30-110	-
Power supply:	1N~230V - 50Hz		
Electric protection degree:	IP 40		
Noisiness min. - max. **	[dBA]	59-61	
Burner weight ***	[kg]	10	

\* Reference conditions: Environment temperature 20°C - Barometric pressure 1013 mbars - Altitude 0 metre (sea level).

\*\* Measured sonorous pressure in the combustion laboratory, with burner on operation on beta boiler to 1m of distance (UNI EN ISO 3746).

\*\*\* For burner with iron cover (F) add 2 kg to the weight.

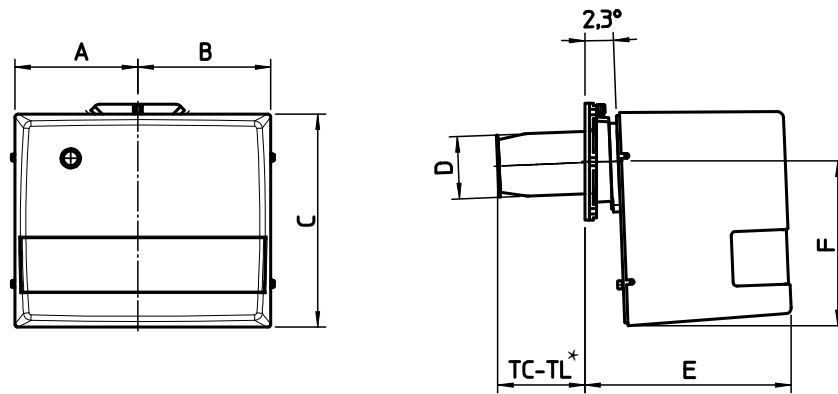
## OPERATING RANGE DIAGRAM G 2.22R-LX - G 2.22-LX



**Fig. 2** X = Thermal power Y = Pression in the combustion chamber

The firing rates has been obtained based on test boilers in accordance with EN267 standards and are indicative of matching the burner to the boiler. For the correct operation of the burner, combustion chamber dimensions must be in accordance with current regulation. In case of non-compliance, contact the manufacturer.

**DIMENSIONS [MM]**

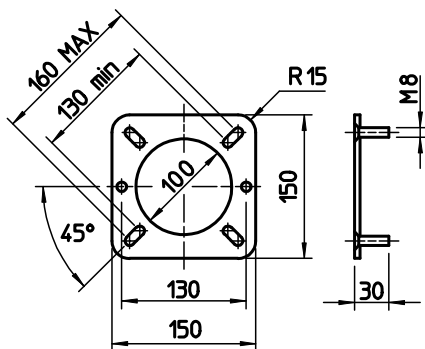


**Fig. 3** Dimensions G 2.22R-LX - G 2.22-LX

MODEL	A	B	C	D	E	F
G 2.22R-LX - G 2.22-LX	157	170	275	90	265	210

\* See "flame tube length"

**BOILER PLATE**



**Fig. 4** Boiler plate

**FLAME TUBE LENGTH**

Flame tube length must be selected based on the specifications supplied by boiler manufacturer and, in any case, it must be greater than the thickness of the boiler door included its insulation.  
 In case of boilers with flame inversion or front flue combustion chambers, it is necessary to insulate the area between the flame tube and front door with refractory material. This protection material must not impede flame tube extraction.

MODEL		TC	TL **
G 2.22R-LX - G 2.22-LX	mm	120	160

\*\* For different flame lengths, please contact our Technical-Sales Department.

