

G 0HR - G 0SR - G 0H - G 0S - G 1HR - G 1H - G 1S - G 2H MAXI - G 2S MAXI

Light-oil burners single stage.

They are composed by: aluminium frame, protection cover with noise reduction plate, combustion head with micro adjustment at high efficiency and high flame stability.

Compact overall dimensions and disposition rationalized of the components with accessibility facilitated for the operations of setting and maintenance.

In the versions H hydraulic device of closing air shutter.

In the versions R preheater with control of temperature for soft and sicure ignitions also at low temperatures.

Complete of connector 7 poles, flange and gasket for installation on boiler, nozzle, flexible pipes, line filter.



Fig. 1 G 0S



Fig. 2 G 1S

Fig. 3 G 2S MAXI

TECHNICAL DATA G 0HR - G 0SR - G 0H - G 0S - G 1HR - G 1H - G 1S - G 2H MAXI - G 2S MAXI

MODEL		G 0HR G 0SR	G 0H G 0S	G 1HR	G 1H G 1S	G 2H MAXI G 2S MAXI
Flow min. - max. *	[kg/h]	1.2-3.1	2.0-3.3	2.0-5.0	2.0-5.0	4-9.8
Thermal power min. - max. *	[Mcal/h]	12.2-31.6	20.4-33.7	20.4-51	20.4-51	40.8-99.9
Thermal power min. - max. *	[kW]	14.2-36.7	23.7-39.1	23.7-59.2	23.7-59.2	47.3-116
Fuel: LIGHT-OIL 1.5°E at 20°C = 6.2 cSt = 35 sec Redwood N°1						
Intermitted working operation (min. 1 stop every 24 hours) one stage						
Environmental conditions operation / storage:	-15...+40°C / -20...+70°C, rel. humidity max. 80%					
Max. temperature combustion air	[°C]	60				
Nominal electric power	[W]	190	120	220	130	140
Fan motor	[W]	90	90	100	100	100
Nominal current absorption	[A]	0.9	0.6	1	0.6	0.7
Pre-heater	[W]	30-110	-	30-110	-	-
Power supply:	1N~230V - 50Hz					
Electric protection degree:	IP 40					
Noisiness min. - max. **	[db(A)]	56-58	56-58	57-59	57-59	59-61
Burner weight ***	[kg]	9	9	10	10	10

* Reference conditions: Environment temperature 20°C - Barometric pressure 1013 mbars - Altitude 0 metre (sea level).

** Measured sonorous pressure in the combustion laboratory, with burner on operation on beta boiler to 1m of distance (UNI EN ISO 3746).

*** For burner with cover in steel (F) please add 3 kg to the weight.

OPERATING RANGE DIAGRAM G 0HR - G 0SR - G 0H - G 0S - G 1HR - G 1H - G 1S - G 2H MAXI - G 2S MAXI

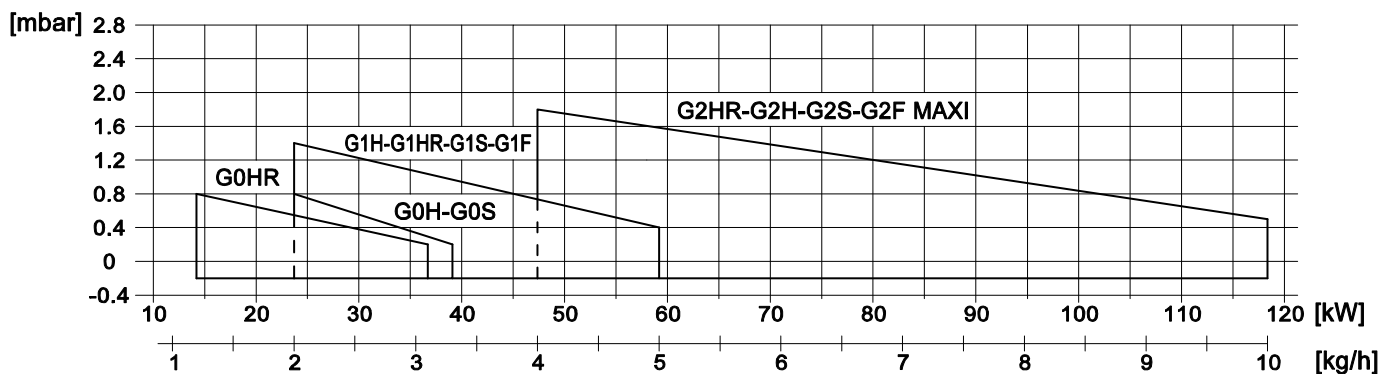


Fig. 2 X = Thermal power Y = Pression in the combustion chamber

The firing rates has been obtained based on test boilers in accordance with EN267 standards and are indicative of matching the burner to the boiler. For the correct operation of the burner, combustion chamber dimensions must be in accordance with current regulation. In case of non-compliance, contact the manufacturer.

DIMENSIONS [MM]

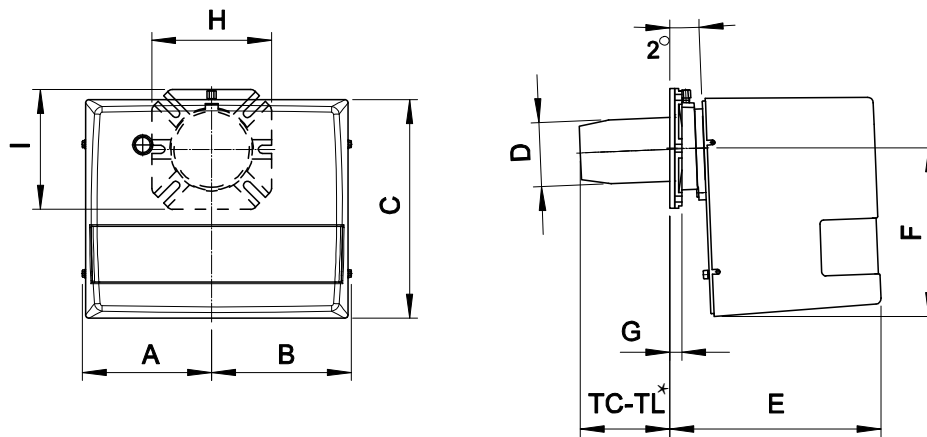
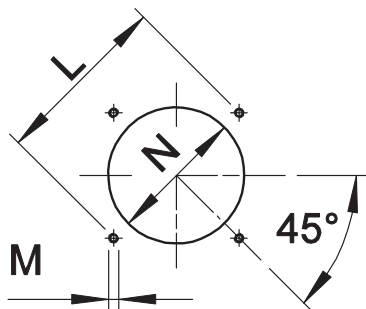


Fig. 3 Dimensions G 0HR - G 0SR - G 0H - G 0S - G 1HR - G 1H - G 1S - G 2H MAXI - G 2S MAXI

MODEL	A	B	C	D	E	F	G	H	I
G0...2001	137	137	240	80	223	169	15	150	150
G1...2001	157	170	275	80	265	210	15	150	150
G2...MAXI	157	170	275	90	265	210	15	150	150

* See "flame tube length"

BOILER PLATE



* Suggested dimension of connection between burner and generator.

Fig. 4 Boiler plate

MODEL		L min	L *	L max	M	N min	N *	N max
G0...2001	mm	130	150	170	M8	90	110	130
G1...2001	mm	130	150	170	M8	90	110	130
G2...MAXI	mm	130	150	170	M8	100	110	130

FLAME TUBE LENGTH

Flame tube length must be selected based on the specifications supplied by boiler manufacturer and, in any case, it must be greater than the thickness of the boiler door included its insulation.
 In case of boilers with flame inversion or front flue combustion chambers, it is necessary to insulate the area between the flame tube and front door with refractory material. This protection material must not impede flame tube extraction.

MODEL		TC	TL **
G0...2001	mm	112	152
G1...2001	mm	112	152
G2...MAXI	mm	107	147

** For different flame lengths, please contact our Technical-Sales Department.



PRODUCT SPECIFICATION

SHORT DESCRIPTION

Light-oil burners one stage.

DETAILED SPECIFICATION

Light-oil burner one stage composed by:

- Aluminium frame;
- Combustion head with micro adjustment at high efficiency and high flame stability;
- Protection cover with noise reduction plate;
- Flange and insulating gasket for fixing at boiler;
- Single-phase power supply;
- Photoresistance for flame detection;
- IP 40 electric protection level.

CONFORMING TO:

- CE rules;
- 2014/30/UE Directive E.M.C.;
- 2014/35/UE Directive L.V.;
- 2014/68/EU Directive M.D.;
- 97/23/CE Directive P.E.D.;
- Reference rules: EN267 (liquid fuel) - EN746-2 (industrial thermoprocessing equipment).

STANDARD EQUIPMENT

- Flexible hoses for connection;
- Line filter;
- Isomart gasket;
- Nozzle;
- Flange with insulating gasket;
- Burner nameplate;
- Warranty;
- Instruction handbook for installation, use and maintenance.