



Burners for diesel two stages at two steps of pressure, aluminium frame, protection cover with noise reduction plate, combustion head with micro adjustment at high efficiency and high flame stability, hydraulic system of regulation combusive air on the two stages of flame.

Compact overall dimensions and disposition rationalized of the components with accessibility facilitated for the operations of setting and maintenance.

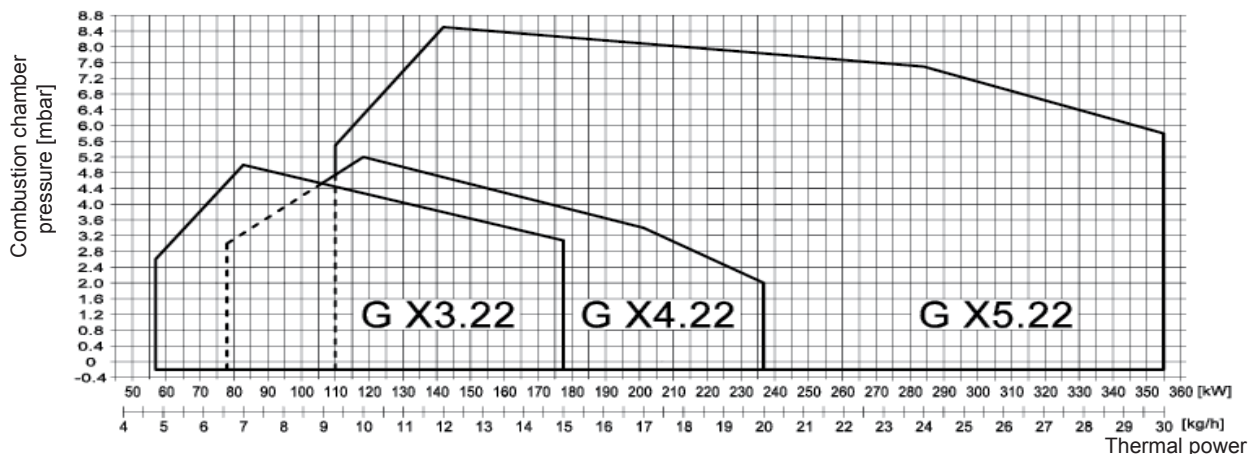
In the versions R preheater with control of temperature for soft and secure ignitions also at low temperatures. Complete of connector 7 poles, flange and gasket for installation on boiler, nozzle, flexible pipes, line filter.

TECHNICAL DATA

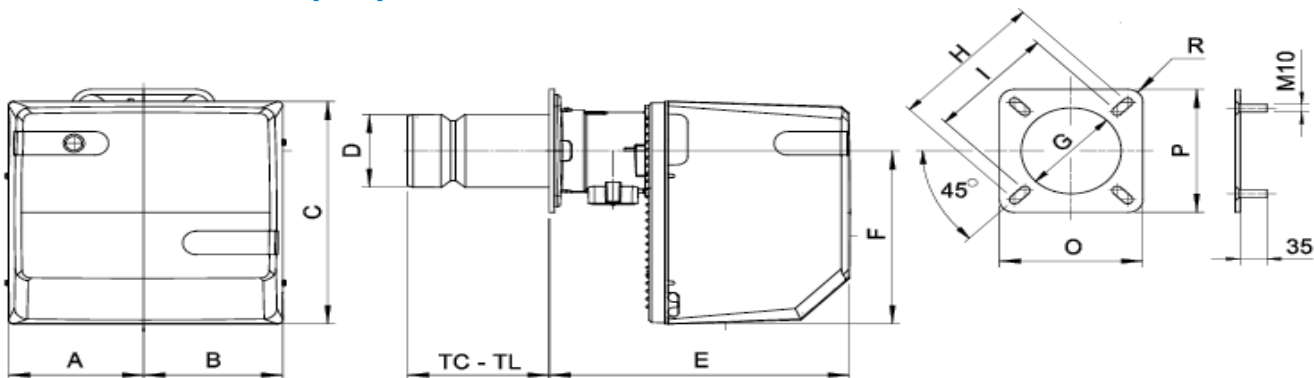
MODEL		G X3.22	G X4.22	G X5.22
Delivery min 1°st./min 2° st.-max 2° st. *	kg/h	4.8/7-15	6.8/10-20	9-12-30
Thermal power min 1°st./min 2° st.-max 2° st. *	Mcal/h	49/71-153	69/102-204	92/122-306
	kW	57/83-178	80/118-236	107/142-355
Nominal electric power	W	220	250	600
Fan motor power	W	150	200	450
Power absorbed	A	1	1.1	2.7
Electrical supply	mono-phase 230V (-15% +10%) - 50Hz			
Fuel	LIGHT OIL 1.5°E a 20°C = 6.2 Cst = 35 sec Redwood N°1			
Burner weight	kg	14	14	25

_Degree of electric protection: IP40 _Maximum combusive air temperature: 60°C _Intermittent operation (min. 1 stop every 24 hours) at two stages with jump of pressure _Allowed enviroment conditions on running/stock: -15...+40°C / -20...+70°C, relative umidity max. 80%
 * Reference conditions: Room temperature 20°C _Atmospheric pressure 1013 mbars _Altitude 0 (sea level)

FIRING RATES: Thermal power - Pressure in combustion chamber



DIMENSIONS (mm)



MODEL	A	B	C	ØD	E	F	G	H	I	O	P	R	TC	TL
G X3.22	179	189	318	110	306	248	120	226	160	200	200	20	130	250
G X4.22	179	189	318	124	306	248	135	226	160	200	200	20	130	250
G X5.22	207	213	400	130	461	310	140	226	205	220	220	30	215	335

Le illustrazioni e i dati riportati sono indicativi. F.B.R. Bruciatori S.r.l. si riserva il diritto di apportare, senza obbligo di preavviso, tutte le modifiche opportune, per l'evoluzione dei propri prodotti.
 The illustrations and data here shown are indicative. F.B.R. Bruciatori S.r.l. reserves the right to bring, without any obligation of warning, any changes that would be appropriate to the continuing development of their products.