



Burners for diesel, single stage, aluminium frame, combustion head with micro adjustment at high efficiency and high flame stability.

Extremely compact overall dimensions for the installation inside thermal units, disposition rationalized of the components with accessibility facilitated for the operations of setting and maintenance.

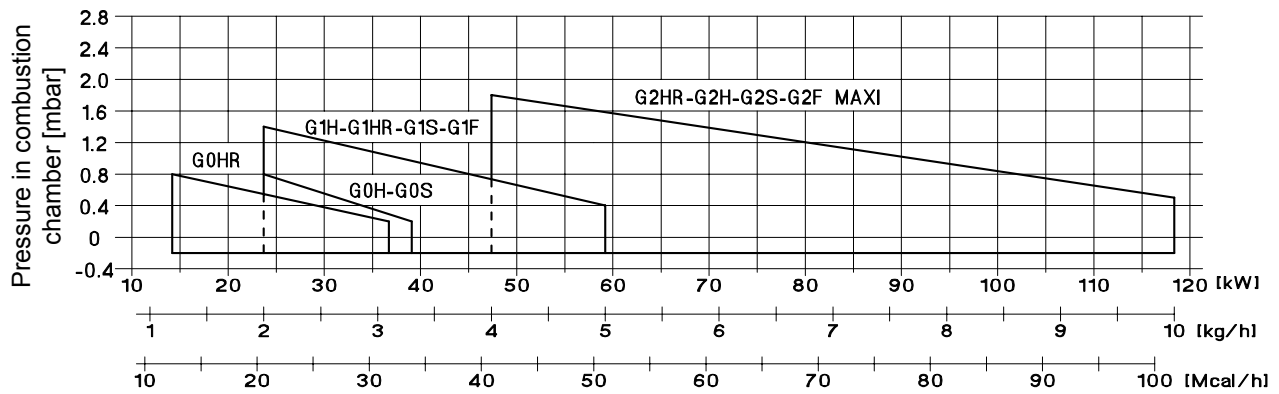
In the versions R preheater with control of temperature for soft and secure ignitions also at low temperatures.

Complete of connector 7 poles, flange and gasket for installation on boiler, nozzle, flexible pipes, line filter.

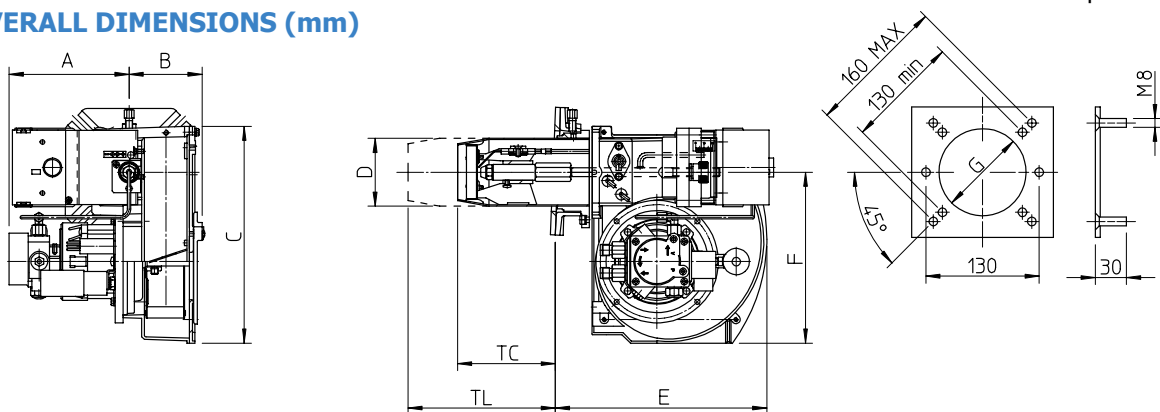
## TECHNICAL DATA

MODEL		G0HR	G0H G0S	G1HR	G1H G1S G1F	G2HR MAXI	G2H MAXI G2S MAXI G2F MAXI
Delivery	Kg/h	1,2-3,1	2,0-3,3	2,0-5,0	2,0-5,0	4-9.8	4-9.8
Thermal power	Mcal/h	12,2-31,6	20,4-33,7	20,4-51	20,4-51	40.8-99.9	40.8-99.9
Thermal power	kW	14,2-36,7	23,7-39,1	23,7-59,2	23,7-59,2	47.3-116	47.3-116
Motor power	W	90	90	100	100	100	100
Preriscaldatore	W	30-110	-	30-110	-	30-110	-
Maximum absorbed power	W	435	325	455	335	335	335
Fuel	LIGHT-OIL 1.5°E a 20°C = 6.2 cSt = 35 sec Redwood N°1						
Pump pressure	10-12 bar (STANDARD CALIBRATION) Max: 15 bar						
Electrical supply	single phase 230V (-15% +10%) - 50Hz						
Level of electrical protection	IP40						
Safety time of control box	≤ 10 sec.						

## OPERATING RANGE: Thermal power - Pressure in combustion chamber



## OVERALL DIMENSIONS (mm)



MODEL	A	B	C	D	E	F	G	TC	TL
G0...MIN	123	106	224	80	215	161	90	112	152
G1...MIN	141	108	255	80	260	201	90	112	152
G2...MAXI MIN	141	108	255	90	260	201	100	112	152