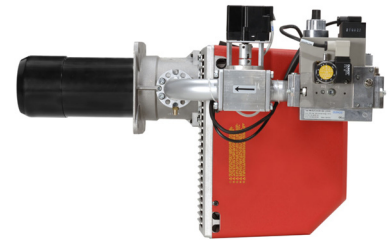


GAS X5/MCE-EL



Gas burners at two stages progressive (hi-low flame) and modulating (PID fully modulating) if equipped with modulation kit and probe, die-cast aluminum body, fan at high pressurisation, combustion head at elevated stability of flame, protection cover with noise reduction plate.

Electronic control box Lamtec BT3 with microprocessor and two servomotors for air and gas adjustment. Interactive set-up LCD display.



TECHNICAL DATA

MODEL		GAS X5/MCE-EL
Thermal power min. 1°st./min. 2°st.-max. 2°st. *	[Mcal/h]	60/130-300
Thermal power min. 1°st./min. 2°st.-max. 2°st. *	[kW]	69.8/151-349
Flow-rate G20 (NATURAL GAS) min. 1°st./min. 2°st.-max. 2°st. *	[Nm³/h]	7/15.2-35
Flow-rate G31 (L.P.G.) min. 1°st./min. 2°st.-max. 2°st. *	[Nm³/h]	2.7/5.8-13.5
Fuel:		NATURAL GAS (second family) - L.P.G. (third family)
Fuel category:		I2R,I2H,I2L,I2E,I2E+,I2Er,I2ELL,I2E(R)B/I3B/P,I3+,I3P,I3B,I3R
Intermittent working operation (min. 1 stop every 24 hours) 2 stages progressives & modulating		
Environmental conditions operation/storage:		-15...+40°C / -20...+70°C, relative umidity max 80%
Max temperature combustion air	[°C]	60
Minimum pressure gas train D1"-S NATURAL GAS/LPG **	[mbar]	27/33
Minimum pressure gas train D1"1/4-S NATURAL GAS/LPG **	[mbar]	16/25
Maximum pressure at the entry of the valves (Pe. max)	[mbar]	360
Nominal electric power	[W]	540
Fan motor	[W]	370
Nominal absorption	[A]	2,4
Power supply:		1/N ~230V-50Hz
Degree of electric protection:		IP 40
Noisiness *** min. - max.	[dB(A)]	66-71
Burner weight ****	[kg]	24

* Reference conditions: Environment temperature 20°C - Barometric pressure 1013 mbars - Altitude 0 metre (sea level).

** Pressure of feeding of the gas to the ramp to get the maximum power of the burner considering against pressure in chamber of value combustion 0 (zero).

*** Measured sonorous pressure in the combustion laboratory , with functional burner on beta boiler to 1m of distance (UNI EN ISO 3746).

**** For burner with cover in steel (F) to add 4 kg to the weight.

FIRING RATES

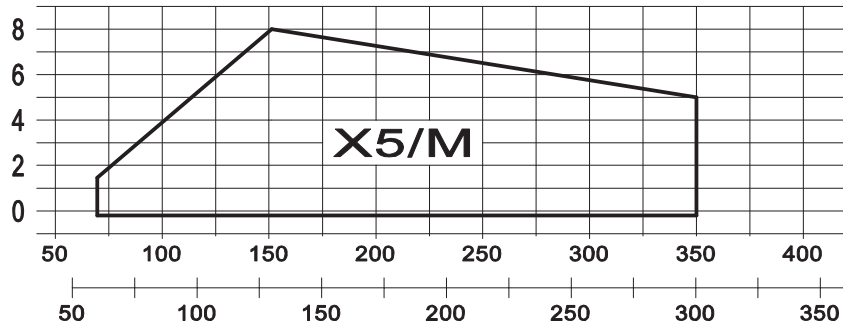
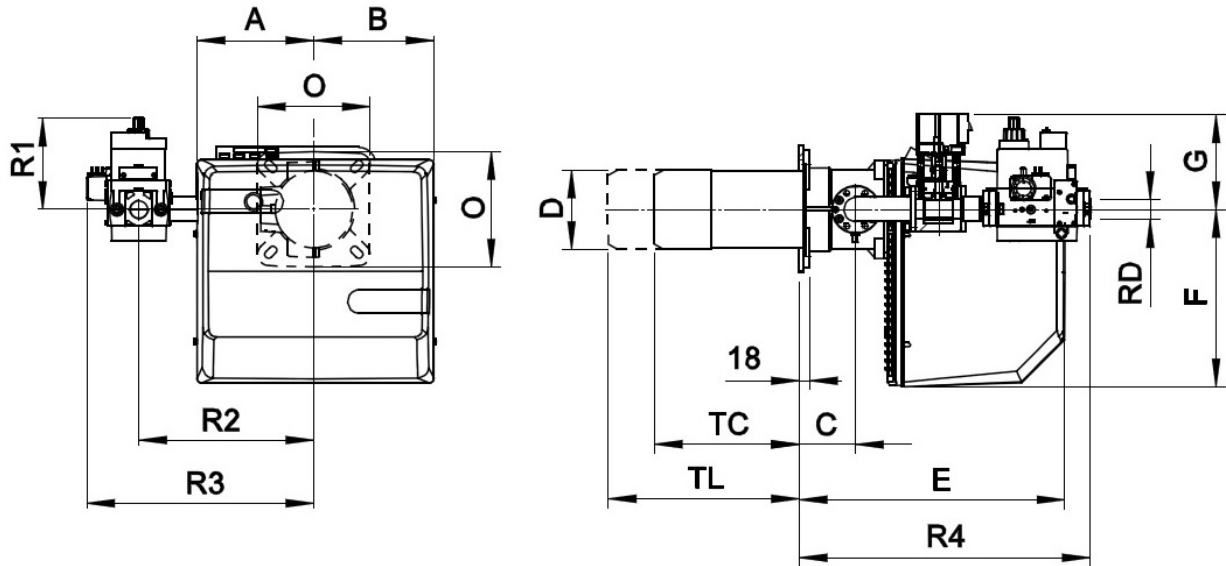


Fig. 1 X = Thermal power (kW - Mcal/h) Y = pressure in combustion chamber (mbar)

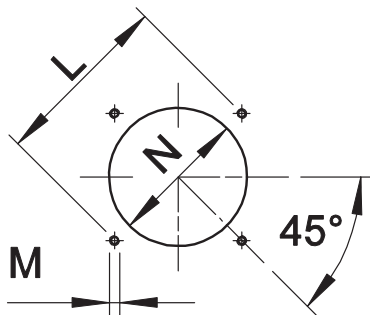
The firing rates has been obtained based on test boilers in accordance with EN267 standards and are indicative of matching the burner to the boiler. For the correct operation of the burner bruciatore, combustion chamber dimensions must be in accordance with current regulation. In case of non-compliance, contact the manufacturer.

DIMENSIONS [mm]



MODEL	A	B	C	D	E	F	G	O	R1	R2	R3	R4	RD	Weight gas train
GAS X5/MCE-EL D1"-S	207	213	98	138	462	310	165	200	160	305	395	508	Rp 1 "	6 kg
GAS X5/MCE-EL D1"1/4-S	207	213	98	138	462	310	165	200	160	305	395	508	Rp 1 "	6 kg

BOILER PLATE



The dimensions of the boiler plate must be as indicated in the drawing.

MODEL		L min	L max	M	N min	N max
GAS X5/MCE-EL	mm	205	226	M10	150	180



PRODUCT SPECIFICATION

SHORT DESCRIPTION

Gas burners at two stages progressive (hi-low flame) and modulating (PID fully modulating) if equipped with modulation kit and probe.

DETAILED SPECIFICATION

Gas burner, at two stages progressive (hi-low flame), with possibility of modulating working (PID fully modulating) with optional modulation kit and probe, composed by:

- Die-cast aluminum body;
- Fan at high pressurisation;
- Combustion head with adjustment at high performance and elevated flame stability equipped with inox steel blast tube and steel flame disc;
- Combustible-air adjustment for optimal combustion value;
- Protection cover with noise reduction plate;
- Flange and insulating gasket for fixing at boiler;
- Electronic control system for controlling and command the burner;
- Single-phase power supply;
- Safety air pressure switch to stop the burner in case of failed or anomalous fan operation;
- Spherical gas servocontrolled valve: progressive start and free way passage with total opening;
- Servomotor for air shutter and the spherical gas valve;
- Mobile shutter with total closure when idle for minimize the energetic losses related at boiler cooling;
- Gas train with A class safety valve and A class adjustment valve;
- Ionisation probe for flame detection;
- IP 40 electric protection level;
- Set up for the additional specific kit that transforms burner operation as modulating i.e.the modulating kit allows to supply any power between the minimum and maximum value based on instantaneous loading request.

CONFORMING TO:

- CE rules;
- 2004/108/CE Directive E.M.C.;
- 2006/95/CE Directive L.V.;
- 2006/42/CE Directive M.D.;
- 97/23/CE Directive P.E.D.;
- 2009/142/CE Directive GAS;
- Reference rules: EN676 (gas) - EN746-2 (industrial thermoprocessing equipment).

STANDARD EQUIPMENT

- Isomart gasket;
- Flange with insulating gasket;
- Burner nameplate;
- Warranty;
- Instruction handbook for installation, use and maintenance.

OPTIONAL

- Power modulating kits for temperatures;
- Power modulating kits for pressures;
- Temperature probe 0°C - 400°C (PT 100 ohm at 0° C);
- Temperature probe 0°C - 1200°C (K probe);
- Pressure probe 0-3 bar, 0-6 bar, 0-16 bar, 0-20 bar, 0-30 bar;
- Noise protection;
- Stabilizer filter;
- Antivibration couplings;
- Handle gas taps.