



## BURNERS FOR GAS SPECIFIC FOR INDUSTRIAL KITCHENS

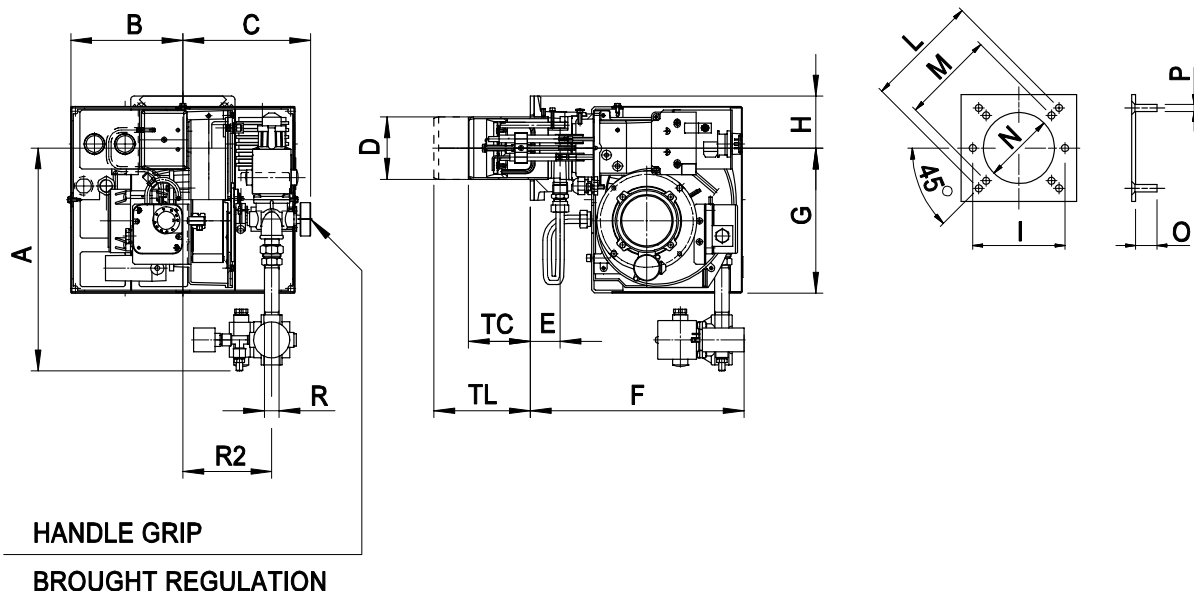


Burners for gas specific for industrial kitchens with power command and on/off switch. Complete of flange and gasket.

### TECHNICAL DATA

MODEL		GAS 1/C	GAS 2/C
Thermal power	Mcal/h	10-40	15-60
Thermal power	kW	11.6-46.4	17.4-69.6
G20 (NATURAL GAS) Delivery	Nm <sup>3</sup> /h	1.17-4.7	1.75-7
G31 (L.P.G.) Delivery	Nm <sup>3</sup> /h	0.45-1.8	0.67-2.7
Nominal pressure G20 (NATURAL GAS)	mbar	20	20
Nominal pressure G25	mbar	25	25
Nominal pressure G30	mbar	29	29
Nominal pressure G31 (L.P.G.)	mbar	37	37
Maximum pressure	mbar	40	40
Motor power	W	75	110
Maximum absorbed power	W	215	250
Electrical supply	1/Nac230V-50Hz		
Level of electrical protection	IP40		
Safety time of control box	= < 3 sec.		

### OVERALL DIMENSIONS (mm)



MODEL	A	B	C	D	E	F	G	H	I	L	M	N	O	P	TC	TL	R2	Ø
GAS 1/C	321	166	184	90	43	310	210	75	130	160	130	100	30	M8	85	145	128	G 1/2"
GAS 2/C	321	166	184	90	43	310	210	75	130	160	130	100	30	M8	85	145	128	G 1/2"